



Barleystone Ltd  
Taghart South, Shercock, Co. Cavan, Ireland

13

EN 771-3:2011

Category II, Football Airtight, Aggregate Concrete Masonry Unit

Dimensions: Length 220mm, Width 215mm, Height 215mm

Dimensional Tolerance:

Category: D2  
Flatness: NPD  
Plane parallelism: NPD

Configuration: Hollow, as in attached drawing

Compressive Strength: 20 N/mm<sup>2</sup> (bedface). (Cat II)

Dimensional Stability: Moisture Movement: NPD

Shear Bond Strength: NPD

Flexural Bond Strength: NPD

Reaction to Fire: Euroclass A1

Water absorption: Not to be left exposed

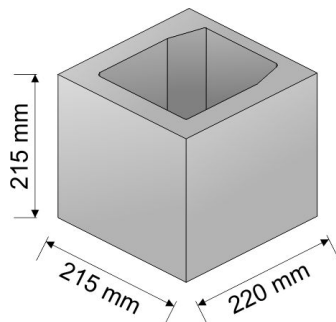
Water vapour diffusion coefficient: NPD

Direct airborne sound insulation: NPD

Thermal Conductivity: NPD

Durability against freeze-thaw: Not to be left exposed

Dangerous Substances: NPD



DECLARATION OF PERFORMANCE

Barleystone Ltd, Taghart South, Shercock, Co. Cavan (place of production)

Confirms that:

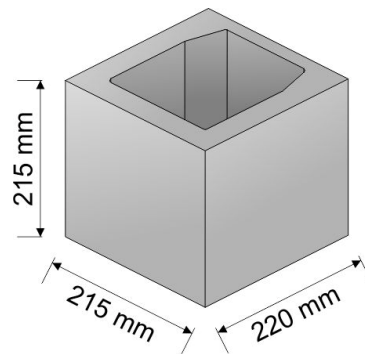
Football Airtight Masonry Block

Conforms to the Harmonised Standard: EN 771-3:2011, Category II,

220mm x 215mm x 215mm Aggregate Concrete Masonry Unit

Provision to which the product conforms: Standard: Annex ZA of EN 771-3:2011, System 4

Dimensional Tolerance: Category D2  
Configuration: Hollow, As in attached drawing  
Compressive Strength: 20 N/mm<sup>2</sup> (bedface). (Cat II)  
Dimensional Stability: Moisture Movement: NPD  
Shear Bond Strength: NPD  
Flexural Bond Strength: NPD  
Reaction to Fire: Euroclass A1  
Water absorption: Not to be left exposed  
Water vapour diffusion coefficient: NPD  
Direct airborne sound insulation: NPD  
Thermal Conductivity: NPD  
Durability against freeze-thaw: Not to be left exposed  
Dangerous Substances: NPD



The performance of the product identified above is in conformity with the declared values, when installed in accordance with the manufacturer's instructions and general purpose or lightweight mortars.

Signed:

Full name: Darragh O'Reilly  
Position: Managing Director  
Date: 26 June 2013